

Pickups

By: John Tipka

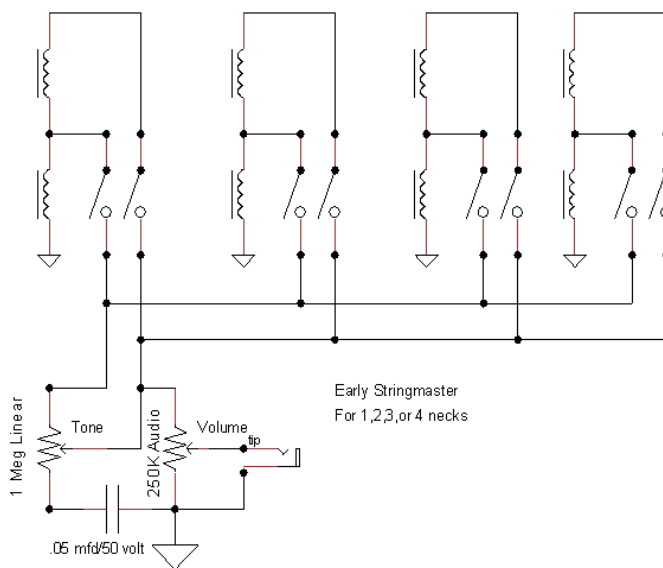
Note: This article was originally published at: www.juststeelguitar.com and is being posted with the permission of John Tipka.

I wind the pickups in all of the guitars I build with a machine I built from information contained in a book by Jason Lollar entitled "*Basic Pickup Winding and Complete Guide to Making Your Own Pickup Winder.*" I surmise the book is now out of print, since I can't find a current listing for it.

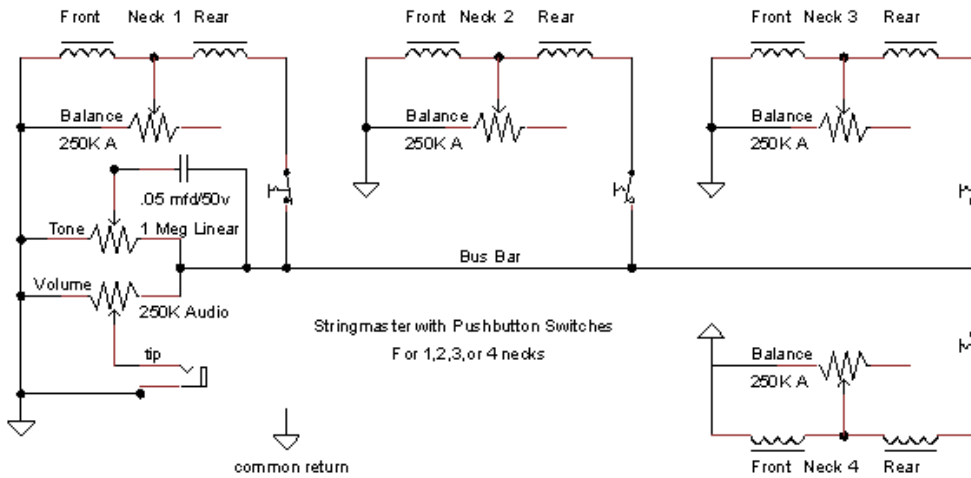
I wind Stringmaster® style pickups, primarily, but do wind six and eight string pickups for lap style guitars, too. I use #42 magnet wire and 3/4" long 3/16" diameter Alnico5 magnets in the bobbins of all of the pickups. Both of the Stringmaster® pickups (front or rear) end up with a DC ohmic resistance of 9700-9800 ohms when wound with 7600 turns of the #42 wire. The wire is laid on the bobbin in a random scatter wound fashion that leaves a flat and tight coil.

The tight coil generally precludes microphonics in the pickup. I have bubbled a heated mixture of paraffin and beeswax through the winding of several pickups and found that it made little or no difference in the quality and quantity of sound delivered by the pickup when installed. I have stopped the waxing and have concentrated on maintaining consistent quality by insuring proper tension on the magnet wire as it is wound on the bobbin.

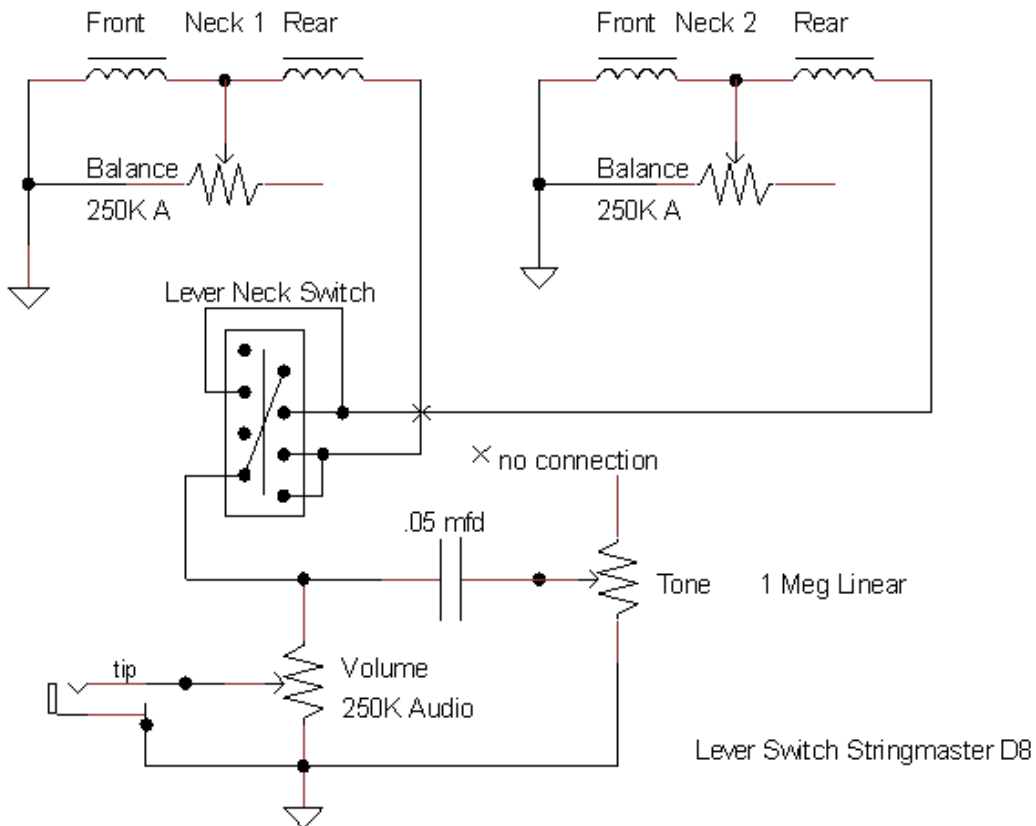
Schematic Diagrams for Wiring Pickups in Fender Steel Guitars



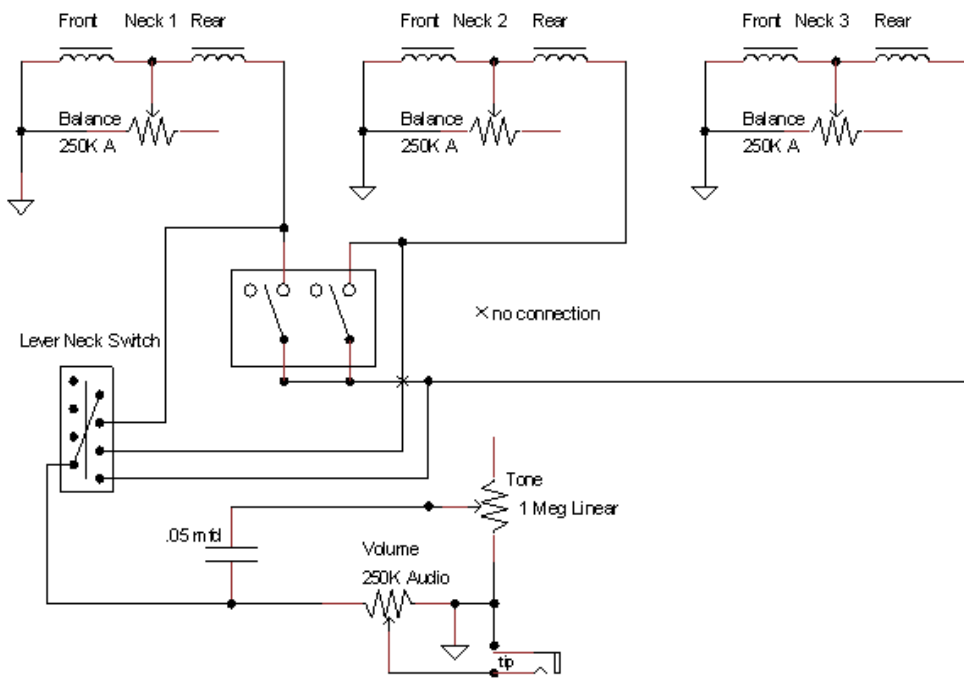
Early Stringmaster® With Slide Switches and No Mixer Control



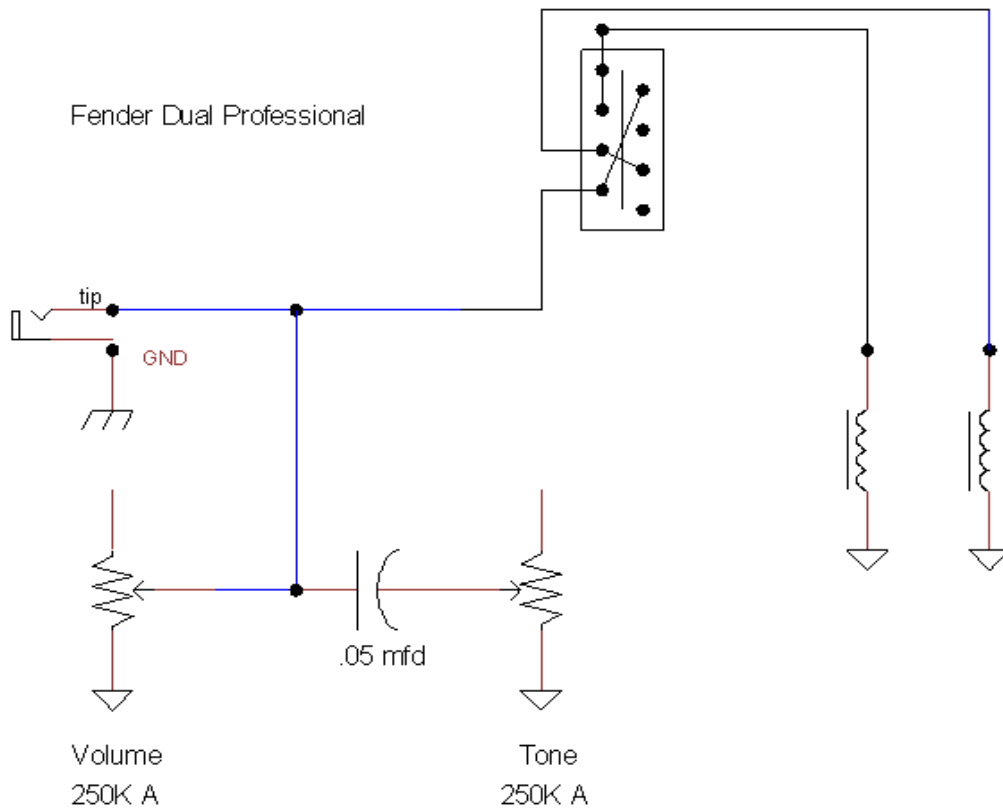
Stringmaster® With Pushbutton Switches and Pickup Mixer Control



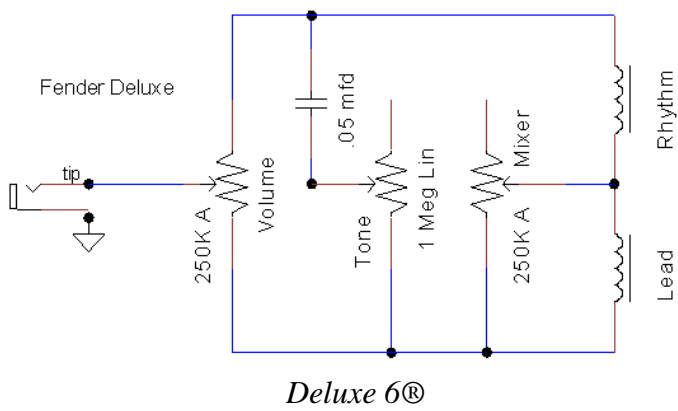
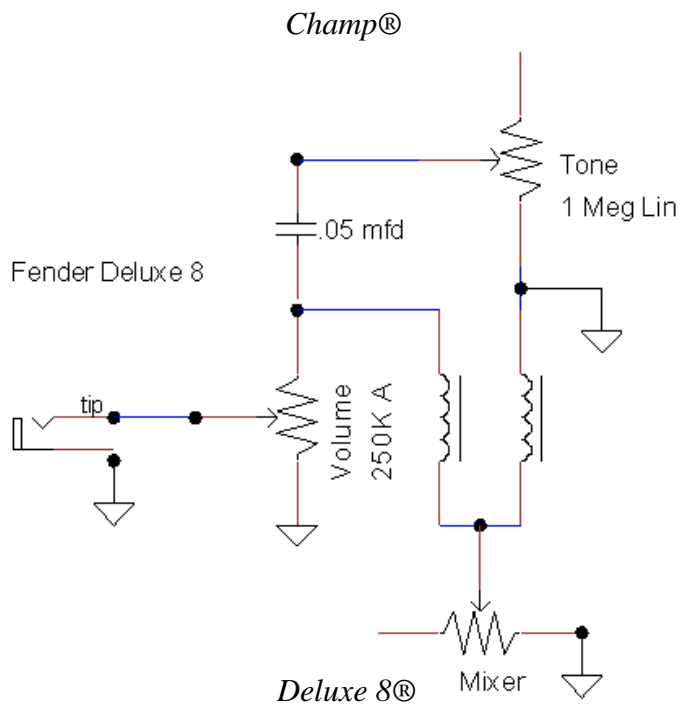
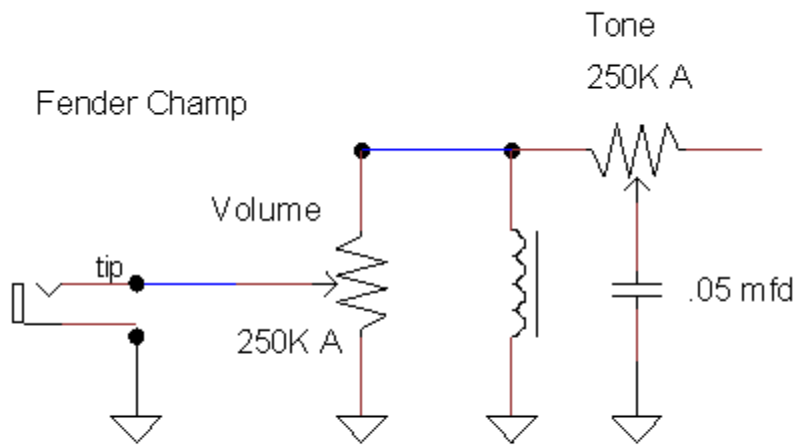
Stringmaster® D8 with Lever Neck Selector Switch



Stringmaster® T8 with Lever Neck Selector Switch

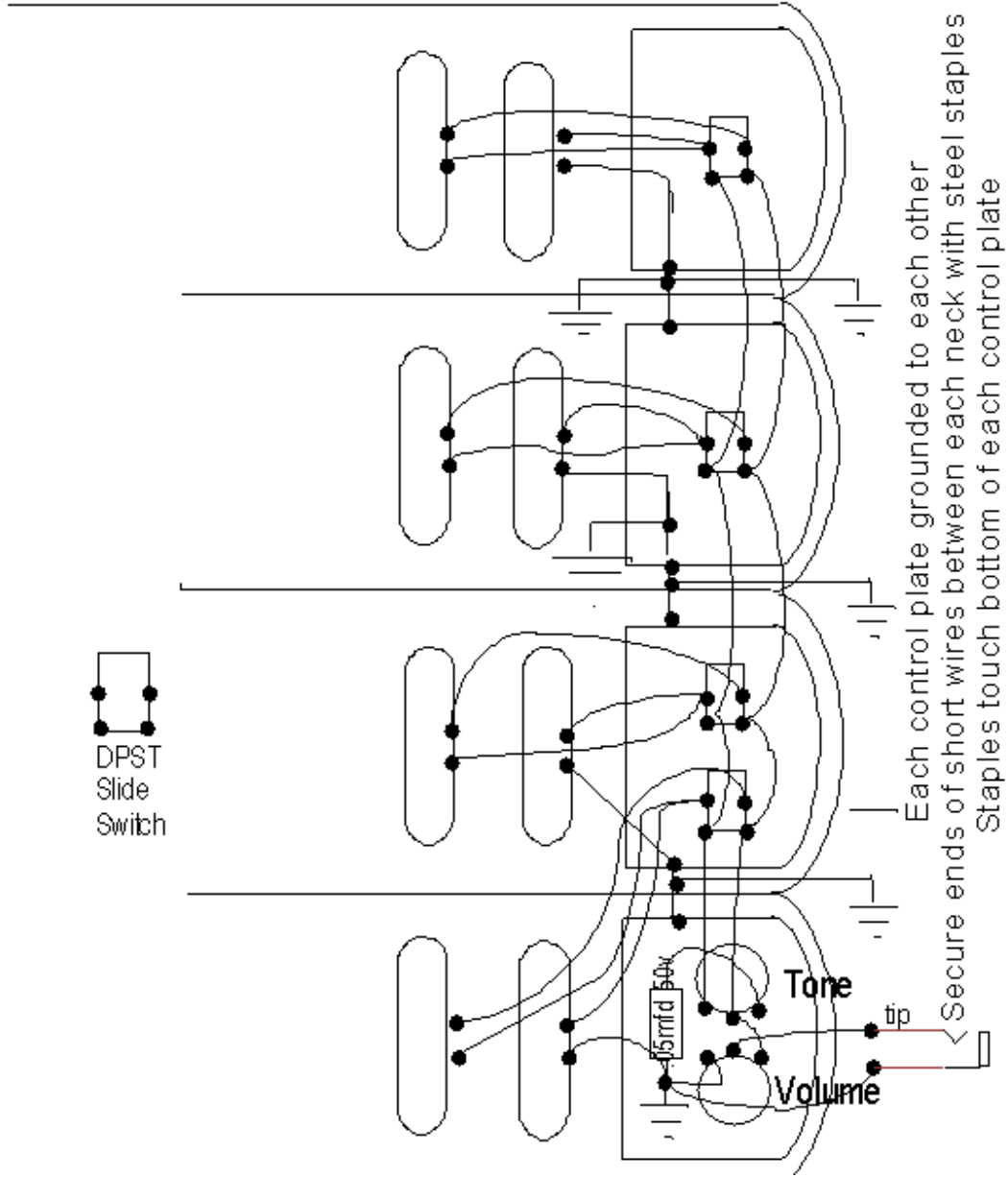


Dual Professional® 8

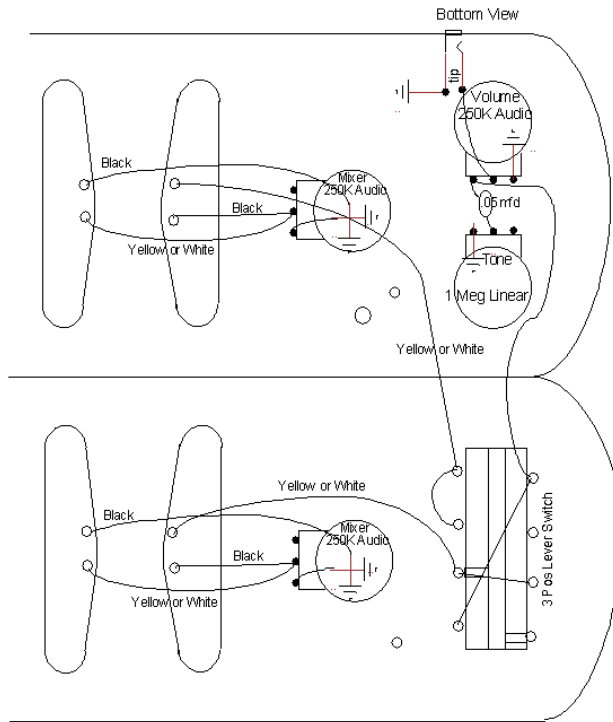


Pictorial Wiring Diagrams for Fender Steel Guitars

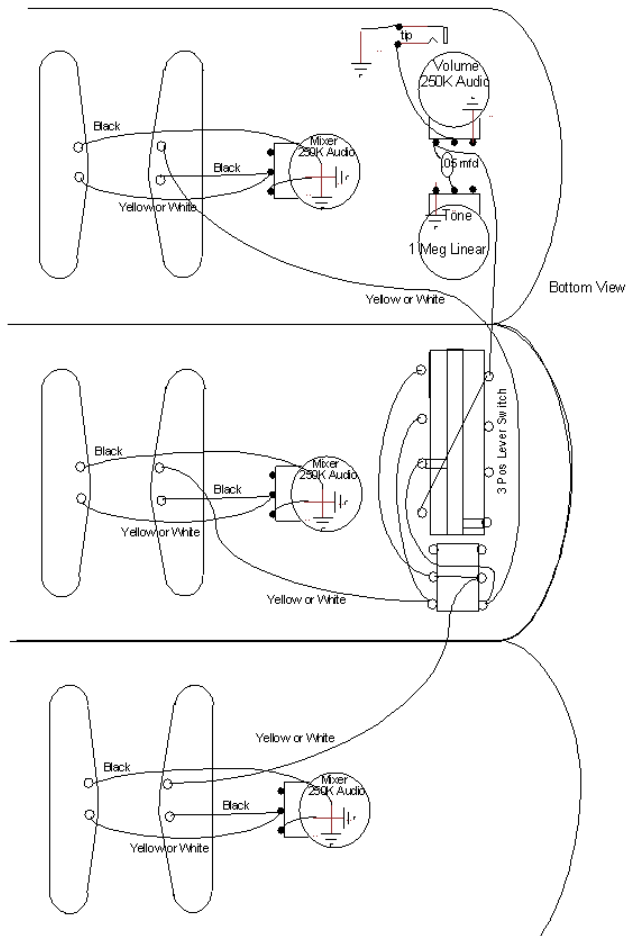
Early Stringmaster with Slide Switches



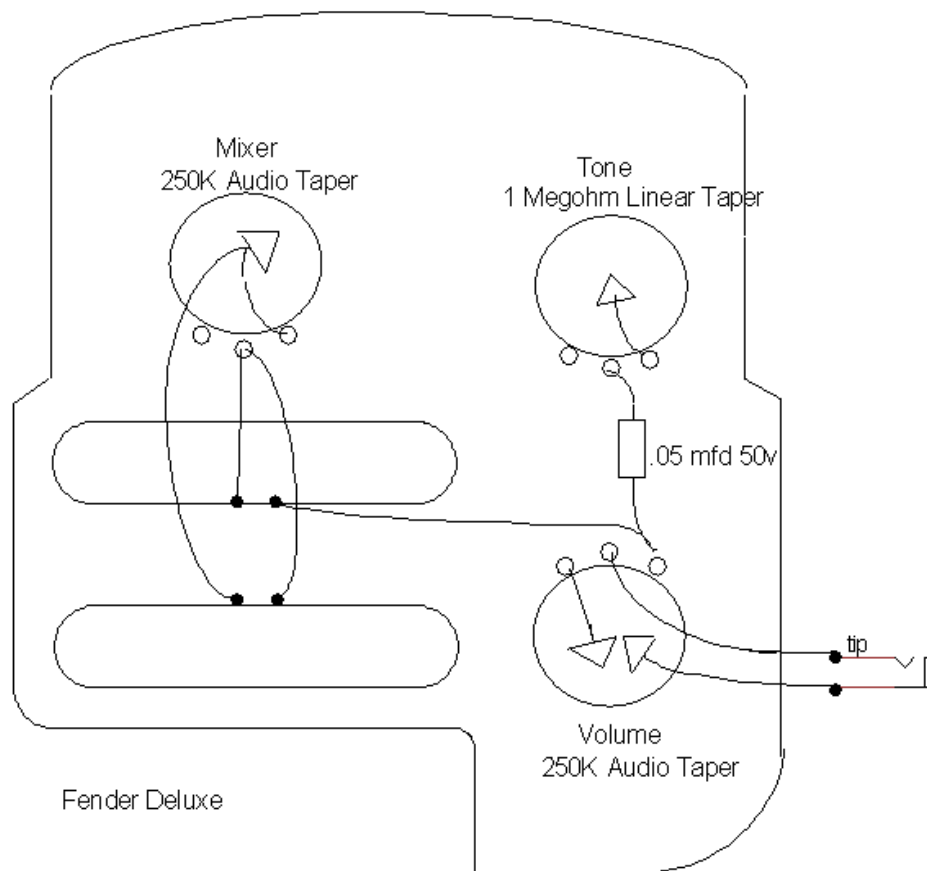
Early Stringmaster® with Slide Switches 2, 3, or 4 necks



Lever Switch Stringmaster® D8



Lever Switch Stringmaster® T8



Deluxe 8®